

MDSTB 2,5/ 6-G1-5,08

Order No.: 1762415

The figure shows a 10-position version of the product

<http://eshop.phoenixcontact.de/phoenix/treeViewClick.do?UID=1762415>Header, nominal current: 10 A, rated voltage: 250 V, pitch: 5.08 mm,
no. of positions: 6, mounting: Soldering

Commercial data

EAN	4017918031015
Pack	50 Pcs.
Customs tariff	85366990
Weight/Piece	0.01212 KG
Catalog page information	Page 229 (CC-2007)

Product notes

WEEE/RoHS-compliant since:
01/01/2003

<http://www.download.phoenixcontact.com>
Please note that the data given here has been taken from the online catalog. For comprehensive information and data, please refer to the user documentation. The General Terms and Conditions of Use apply to Internet downloads.

Technical data

Dimensions / positions

Pitch	5.08 mm
Dimension a	25.4 mm
Number of positions	6
Pin dimensions	1 x 1 mm
Hole diameter	1.4 mm

Technical data

Insulating material group	I
Rated surge voltage (III/3)	4 kV
Rated surge voltage (III/2)	4 kV
Rated surge voltage (II/2)	4 kV
Rated voltage (III/2)	320 V
Rated voltage (II/2)	630 V
Connection in acc. with standard	EN-VDE
Nominal current I_N	10 A
Nominal voltage U_N	250 V
Maximum load current	10 A (per position)
Insulating material	PA
Inflammability class acc. to UL 94	V0

Certificates / Approvals



CSA

Nominal voltage U_N	300 V
Nominal current I_N	10 A

CUL

Nominal voltage U_N	300 V
Nominal current I_N	10 A

UL

Nominal voltage U_N	300 V
Nominal current I_N	10 A
Certification	CB, CSA, CUL, GOST, UL, VDE-PZI

Accessories

Item	Designation	Description
------	-------------	-------------

Assembly

1755477	MSTB-BL	Keying cap, for forming sections, plugs onto header pin, green insulating material
---------	---------	--

Marking

0804293	SK 5,08/3,8:FORTL.ZAHLEN	Marker card, printed horizontally, self-adhesive, 12 identical decades marked 1-10, 11-20 etc. up to 91-(99)100, sufficient for 120 terminal blocks
---------	--------------------------	---

Plug/Adapter

1734401	CR-MSTB	Coding section, inserted into the recess in the header or the inverted plug, red insulating material
---------	---------	--

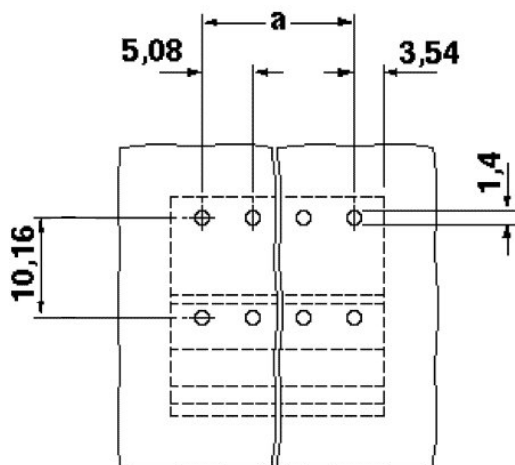
Additional products

Item	Designation	Description
General		
1872732	A-ICV 2,5/ 6-G-5,08	Header, nominal current: 12 A, rated voltage: 250 V, pitch: 5.08 mm, no. of positions: 6, mounting: Mounting rail
1873090	FKC 2,5/ 6-ST-5,08	Plug component, nominal current: 12 A, rated voltage: 250 V, pitch: 5.08 mm, no. of positions: 6, type of connection: Spring-cage connection
1902152	FKCT 2,5/ 6-ST-5,08	Plug component, nominal current: 12 A, rated voltage: 250 V, pitch: 5.08 mm, no. of positions: 6, type of connection: Spring-cage connection
1873993	FKCVR 2,5/ 6-ST-5,08	Plug component, nominal current: 12 A, rated voltage: 250 V, pitch: 5.08 mm, no. of positions: 6, type of connection: Spring-cage connection
1873692	FKCVW 2,5/ 6-ST-5,08	Plug component, nominal current: 12 A, rated voltage: 250 V, pitch: 5.08 mm, no. of positions: 6, type of connection: Spring-cage connection
1777329	FRONT-MSTB 2,5/ 6-ST-5,08	Plug component, nominal current: 12 A, rated voltage: 250 V, pitch: 5.08 mm, no. of positions: 6, type of connection: Screw connection
1786446	IC 2,5/ 6-G-5,08	Header, nominal current: 12 A, rated voltage: 320 V, pitch: 5.08 mm, number of positions: 6, mounting type: soldering
1785984	ICV 2,5/ 6-G-5,08	Header, nominal current: 12 A, rated voltage: 320 V, pitch: 5.08 mm, number of positions: 6, mounting type: soldering
1757051	MSTB 2,5/ 6-ST-5,08	Plug component, nominal current: 12 A, rated voltage: 250 V, pitch: 5.08 mm, no. of positions: 6, type of connection: Screw connection
1776126	MSTB 2,5/ 6-STZ-5,08	Plug component, nominal current: 12 A, rated voltage: 250 V, pitch: 5.08 mm, no. of positions: 6, type of connection: Screw connection
1808858	MSTBC 2,5/ 6-ST-5,08	Plug component, nominal current: 12 A, rated voltage: 320 V, pitch: 5.08 mm, no. of positions: 6, type of connection: Crimp connection

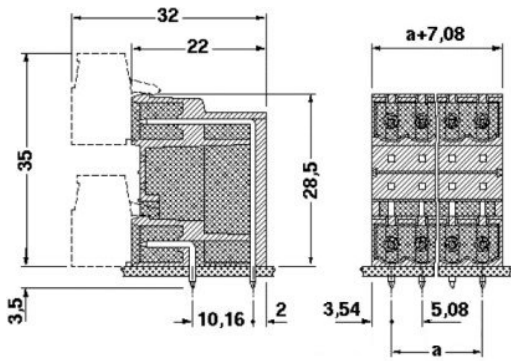
1809543	MSTBC 2,5/ 6-STZ-5,08	Plug component, nominal current: 12 A, rated voltage: 320 V, pitch: 5.08 mm, no. of positions: 6, type of connection: Crimp connection
1769052	MSTBP 2,5/ 6-ST-5,08	Plug component, nominal current: 12 A, rated voltage: 250 V, pitch: 5.08 mm, no. of positions: 6, type of connection: Screw connection
1781027	MSTBT 2,5/ 6-ST-5,08	Plug component, nominal current: 12 A, rated voltage: 250 V, pitch: 5.08 mm, no. of positions: 6, type of connection: Screw connection
1792281	MVSTBR 2,5/ 6-ST-5,08	Plug component, nominal current: 12 A, rated voltage: 250 V, pitch: 5.08 mm, no. of positions: 6, type of connection: Screw connection
1792799	MVSTBW 2,5/ 6-ST-5,08	Plug component, nominal current: 12 A, rated voltage: 250 V, pitch: 5.08 mm, no. of positions: 6, type of connection: Screw connection
1917943	QC 0,75/ 6-ST-5,08	Plug components, 5.08 mm pitch, color: green, no. of positions 6, dimension a 25.40 mm
1883297	QC 1/ 6-ST-5,08	Plug, nominal current: 10 A, rated voltage: 500 V, pitch: 5.08 mm, number of positions: 6, connection method: Insulation displacement connection QUICKON
1826322	SMSTB 2,5/ 6-ST-5,08	Plug component, nominal current: 12 A, rated voltage: 250 V, pitch: 5.08 mm, no. of positions: 6, type of connection: Screw connection
1853052	TMSTBP 2,5/ 6-ST-5,08	Plug component, nominal current: 12 A, rated voltage: 250 V, pitch: 5.08 mm, no. of positions: 6, type of connection: Screw connection

Drawings

Drilling diagram



Dimensioned drawing



Address

PHOENIX CONTACT GmbH & Co. KG
Flachsmarktstr. 8
32825 Blomberg, Germany
Phone +49 5235 3 00
Fax +49 5235 3 41200
<http://www.phoenixcontact.de>



© 2008 Phoenix Contact
Technical modifications reserved;